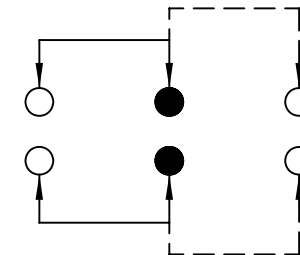
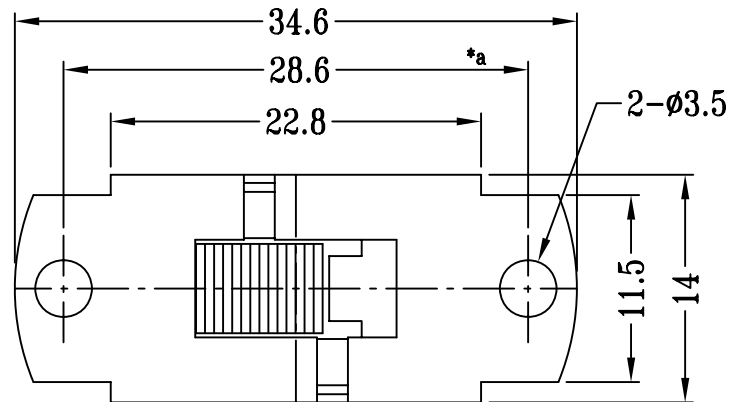
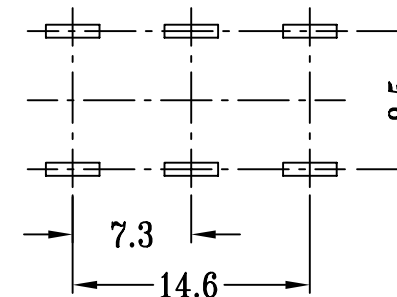
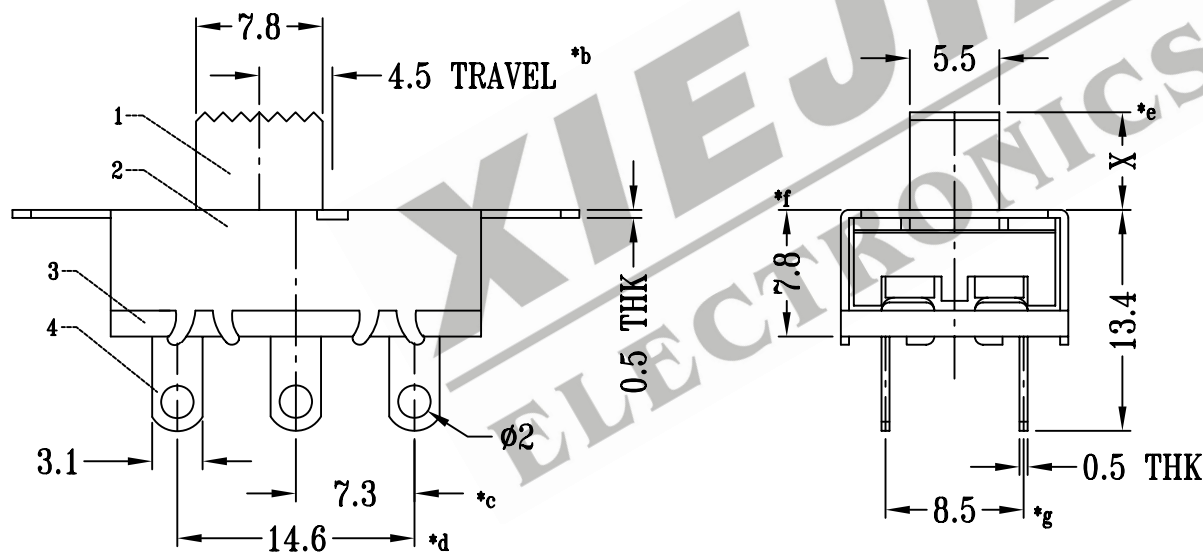




CAD FILE:



SCHEMATIC (NON-SHORTING)



P.C.B LAYOUT

注:带"*"表示关键尺寸(7个)

| NO. | PART NAME | MATERIAL | QTY | FINISHING | TOLERANCE UNLESS SPECIFIED | SHENZHEN XIEJIA ELECTRONICS CO.,LTD. | | | | |
|-----|---------------|----------------|-----|--------------------------|---|--------------------------------------|------|----------------------------|-----------|----------|
| 8 | | | | | | | | | | |
| 7 | SPRING PLATE | PBS STRIP | 1 | NATURAL | | | | | | |
| 6 | SPRING PLATE | PBS STRIP | 2 | NATURAL | WITHIN: 1.5±0.1mm OVER : 1.5±0.2mm | | | | | |
| 5 | CONTACT CLIP | COPPER STRIP | 2 | Ag PLATED | | ISSUE | DATE | DESCRIPTIONS | | |
| 4 | TERMINAL | COPPER STRIP | 6 | Ag PLATED OVER Ni PLATED | | | | APPD | | |
| 3 | TERMINAL BASE | PHENOLIC RESIN | 1 | BLACK | TITLE: VERTICAL SLIDE SWITCH | UNIT : MM | | DRWG NO.: XJ-DR-SS22I26-00 | | |
| 2 | FRAME | STEEL STRIP | 1 | Zn PLATED | MODEL: SS-22I26 | SCALE: 2:1 | | DWN | ZHOUYU | 2005-9-6 |
| 1 | KNOB | PC | 1 | BLACK | | | | CHK'D | FANGYING | 2005-9-6 |
| | | | | | ALL MATERIALS MUST BE COMPLIANT TO ROHS | | | APPD | KANGXINAN | 2005-9-6 |